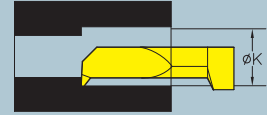
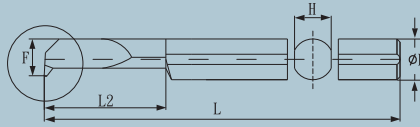
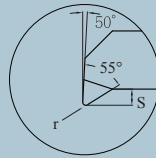
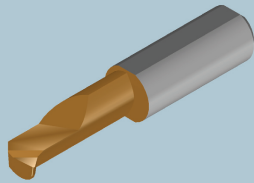


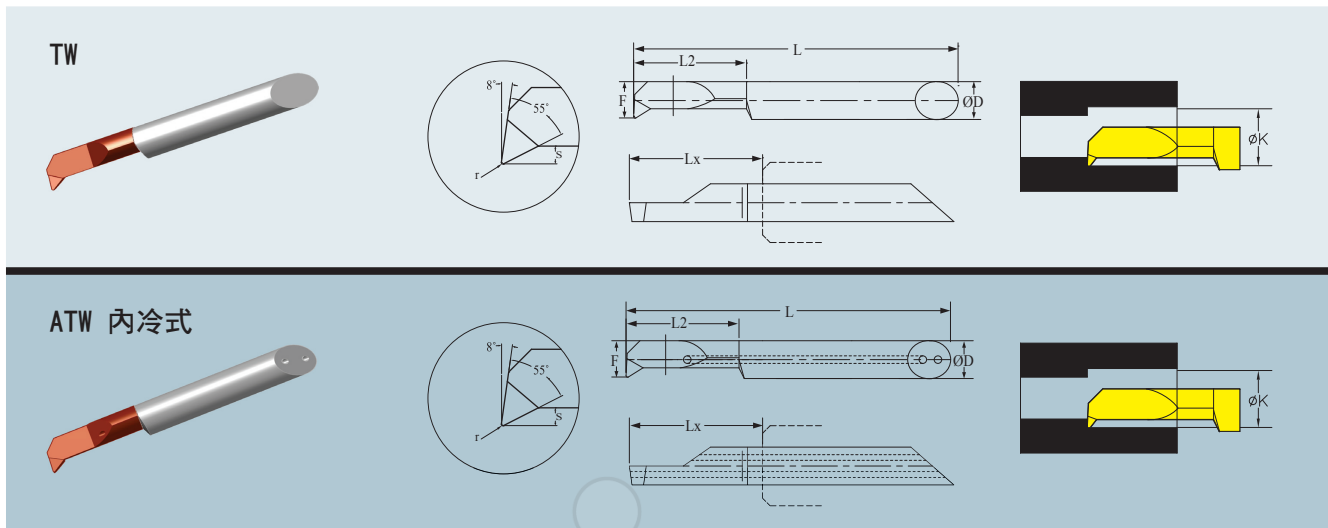
內徑車刀 Micro Bar-Boring



型號 EDP NO.	ØK	F	L2	L	r	S	ØD	在庫 stock	適用套筒 Applicable Sleeve
29.3009-01	3	2.8	9.0	40	0.1	0.4	4	●	SP.250-04** SP.5650-04**
29.3015-01	3	2.8	15.0	45	0.1	0.4	4	●	
29.3021-01	3	2.8	21.0	52	0.1	0.4	4	●	
29.4012-01	4	3.8	12.0	42	0.1	0.7	4	●	
29.4012-02	4	3.8	12.0	42	0.2	0.7	4	●	
29.4020-01	4	3.8	20.0	50	0.1	0.7	4	●	
29.4020-02	4	3.8	20.0	50	0.2	0.7	4	●	
29.4028-01	4	3.8	28.0	60	0.1	0.7	4	●	
29.4028-02	4	3.8	28.0	60	0.2	0.7	4	●	
29.5015-01	5	4.8	15.0	50	0.1	1.0	6	●	SP.250-06** SP.5650-06**
29.5015-02	5	4.8	15.0	50	0.2	1.0	6	●	
29.5025-01	5	4.8	25.0	60	0.1	1.0	6	●	
29.5025-02	5	4.8	25.0	60	0.2	1.0	6	●	
29.5035-01	5	4.8	35.0	70	0.1	1.0	6	●	
29.5035-02	5	4.8	35.0	70	0.2	1.0	6	●	
29.6020-02	6	5.8	20.0	55	0.2	1.5	6	●	SP.250-08** SP.5650-08**
29.6030-02	6	5.8	30.0	65	0.2	1.5	6	●	
29.6042-02	6	5.8	42.0	77	0.2	1.5	6	●	
29.7021-02	7	6.8	21.0	60	0.2	2.0	8	●	SP.250-10** SP.5650-10**
29.7035-02	7	6.8	35.0	75	0.2	2.0	8	●	
29.7049-02	7	6.8	49.0	95	0.2	2.0	8	●	
29.8025-02	8	7.8	25.0	65	0.2	2.0	8	●	
29.8040-02	8	7.8	40.0	80	0.2	2.0	8	●	
29.8056-02	8	7.8	56.0	100	0.2	2.0	8	●	
29.10030-02	10	9.8	30.0	75	0.2	2.5	10	●	
29.10050-02	10	9.8	50.0	95	0.2	2.5	10	●	
29.10070-02	10	9.8	70.0	115	0.2	2.5	10	●	

無"●"標示者為訂製品。Without "●" marking means custom products.
有"●"標示者為在庫品。With "●" marking means items in stock.

内徑車刀 Micro Bar-Boring



型號 EDP NO.	内冷式 型號 EDP NO.	ØK	F	L2	Lx	r	S	ØD	在庫 stock	適用套筒 Applicable Sleeve
TW 29.2006-005	ATW 29.2006-005	2	1.8	6.0	8.0	0.05	0.3	4		SP.380-04**
TW 29.2010-005	ATW 29.2010-005	2	1.8	10.0	12.0	0.05	0.3	4		
TW 29.2014-005	ATW 29.2014-005	2	1.8	14.0	16.0	0.05	0.3	4		
TW 29.2508-005	ATW 29.2508-005	2.5	2.3	8.0	10.0	0.05	0.3	4		SP.380-04**
TW 29.2513-005	ATW 29.2513-005	2.5	2.3	13.0	15.0	0.05	0.3	4		
TW 29.2518-005	ATW 29.2518-005	2.5	2.3	18.0	20.0	0.05	0.3	4		
TW 29.3009-01	ATW 29.3009-01	3	2.8	9.0	11.0	0.1	0.4	4		SP.380-04**
TW 29.3015-01	ATW 29.3015-01	3	2.8	15.0	17.0	0.1	0.4	4		
TW 29.3021-01	ATW 29.3021-01	3	2.8	21.0	23.0	0.1	0.4	4		
TW 29.4012-01	ATW 29.4012-01	4	3.8	12.0	14.0	0.1	0.7	4		
TW 29.4012-02	ATW 29.4012-02	4	3.8	12.0	14.0	0.2	0.7	4		
TW 29.4020-01	ATW 29.4020-01	4	3.8	20.0	22.0	0.1	0.7	4		
TW 29.4020-02	ATW 29.4020-02	4	3.8	20.0	22.0	0.2	0.7	4		
TW 29.4028-01	ATW 29.4028-01	4	3.8	28.0	30.0	0.1	0.7	4		
TW 29.4028-02	ATW 29.4028-02	4	3.8	28.0	30.0	0.2	0.7	4		
TW 29.5015-02	ATW 29.5015-02	5	4.8	15.0	17.0	0.2	1.0	5		
TW 29.5025-02	ATW 29.5025-02	5	4.8	25.0	27.0	0.2	1.0	5		
TW 29.5035-02	ATW 29.5035-02	5	4.8	35.0	37.0	0.2	1.0	5		
TW 29.6020-02	ATW 29.6020-02	6	5.8	20.0	23.0	0.2	1.5	6		SP.380-06**
TW 29.6030-02	ATW 29.6030-02	6	5.8	30.0	33.0	0.2	1.5	6		
TW 29.6042-02	ATW 29.6042-02	6	5.8	42.0	45.0	0.2	1.5	6		
TW 29.7021-02	ATW 29.7021-02	7	6.8	21.0	24.0	0.2	2.0	7		SP.380-07**
TW 29.7035-02	ATW 29.7035-02	7	6.8	35.0	38.0	0.2	2.0	7		
TW 29.7049-02	ATW 29.7049-02	7	6.8	49.0	52.0	0.2	2.0	7		
TW 29.8025-02	ATW 29.8025-02	8	7.8	24.0	27.0	0.2	2.0	8		SP.380-08**
TW 29.8040-02	ATW 29.8040-02	8	7.8	40.0	43.0	0.2	2.0	8		
TW 29.8056-02	ATW 29.8056-02	8	7.8	56.0	59.0	0.2	2.0	8		

無"●"標示者為訂製品。Without "●" marking means custom products.
 有"●"標示者為在庫品。With "●" marking means items in stock.